



EVERPURE® claris | ultra 2000-XXL FILTER CARTRIDGE

ADJUSTABLE ION-SELECTIVE FILTER OFFERS TAILORED CARBONATE HARDNESS AND CORROSION PROTECTION LEVELS IN POTABLE WATER

Claris Ultra 2000-XXL Filter Cartridge: EV4339-84



Head sold separately.

APPLICATIONS

- Coffee
- Espresso
- Brewed Iced Tea
- Hot Drink Vending

FEATURES • BENEFITS

Unique water conditioning technology combines mineral adaptation, mineral stabilization and corrosion inhibition

Features a 5-stage filtration process that includes:

- Prefiltration
- Carbonate hardness adjustment
- Fine filtration
- Highly efficient carbon block
- Solid membrane filter

Removes harmful contaminants and unpleasant odors and tastes

Removes particles down to five (5) microns for highest equipment protection

Operates in a vertical or horizontal position

INSTALLATION TIPS

The system can be operated freestanding, lying horizontally or vertically.

Water pressure at the filter system inlet must not exceed 116 psi (8 bar). A pressure reducer valve must be installed on the water supply side of the filter system if the inlet pressure exceeds 116 psi (8 bar).

Shutoff valve must be installed upstream of the filter.

Refer to Installation, Operation & Maintenance Manual for cartridge flushing and start-up.

OPERATION TIPS

Change Claris Ultra Cartridge when its precalculated water volume has been reached or at least once per year.

Change cartridge when capacity is reached.

Always flush the filter cartridge at time of installation and cartridge change.

Do not use hardness test strips to check for hardness reduction. Please use a titration kit to check for hardness reduction.

SIZING

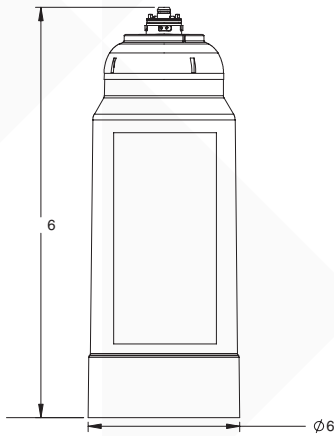
Service Flow Rate: 1.0 gpm (3.7 Lpm)

Rated Capacity:
4,358 gallons (16,500 L) for Espresso
5,283 gallons (20,000 L) for Coffee/OCS

This capacity is based on influent water hardness of 180 ppm with standard bypass settings.

EVERPURE® claris | ultra 2000-XXL FILTER CARTRIDGE

EV4339-84



SPECIFICATIONS

Service Flow Rate

1.0 gpm (3.7 Lpm)

Rated Capacity

4,358 gallons (16,500 L) for Espresso
5,283 gallons (20,000 L) for Coffee/OCS

This capacity is based on influent water hardness of 180 ppm with standard bypass settings.

Pressure Requirements

29 - 116 psi (2 - 8 bar), non-shock

Temperature Limits

39 - 86°F (4 - 30°C)

Overall Dimensions

18.56" H x 6.89" dia (47.1 x 17.5 cm)

Electrical Connection

None required

Claris™ is a trademark of Aquis, GmbH.

The contaminants or other substances removed or reduced by this drinking water system are not necessarily in your water. Do not use with water that is microbiologically unsafe or of unknown quality without adequate disinfection before or after the system.

WARRANTY

Everpure Claris Ultra by Pentair® water treatment systems are covered by a limited warranty against defects in material and workmanship for a period of one year after date of purchase. Everpure replaceable elements (filter cartridges and water treatment cartridges) are covered by a limited warranty against defects in material and workmanship for a period of one year after date of purchase. See printed warranty for details. Pentair will provide a copy of the warranty upon request.



FILTRATION & PROCESSING SOLUTIONS

EVERPURE-SHURFLO WORLD HEADQUARTERS, 1040 MUIRFIELD DRIVE, HANOVER PARK, IL 60133 USA • WWW.EVERPURE.COM
800.942.1153 MAIN (US ONLY) • 630.307.3000 MAIN • 630.307.3030 FAX • CSEVERPURE@PENTAIR.COM EMAIL

EVERPURE-SHURFLO AUSTRALIA, 1-21 MONASH DRIVE, DANDENONG SOUTH, VIC 3175, AUSTRALIA
011.1300.576.190 TEL • 011.61.39.562.7237 FAX • AU.EVERPURE@PENTAIR.COM EMAIL

EVERPURE-SHURFLO CHINA, 21F CLOUD 9 PLAZA, NO 1118, SHANGHAI, 200052, CHINA
86.21.3211.4588 TEL • 86.21.3211.4580 FAX • CHINA.WATER@PENTAIR.COM EMAIL

EVERPURE-SHURFLO INDIA, GREEN BOULEVARD, B-9/A, 7TH FLOOR - TOWER B SECTOR 62, NOIDA - 201301
91.120.419.9444 TEL • 91.120.419.9400 FAX • INDIACUSTOMER@PENTAIR.COM EMAIL

EVERPURE-SHURFLO EUROPE, PENTAIR WATER BELGIUM BVBA, INDUSTRIEPARK WOLFSTEE, TOEKOMSTLAAN, 30 B-2200 HERENTALS, BELGIUM
+32.(0).14.283.500 TEL • +32.(0).14.283.505 FAX • SALES@EVERPURE-EUROPE.COM EMAIL

EVERPURE-SHURFLO JAPAN INC., HASHIMOTO MN BLDG. 7F, 3-25-1 HASHIMOTO, MIDORI-KU, SAGAMIHARA-SHI KANAGAWA 252-0143, JAPAN
81.(0)42.775.3011 TEL • 81.(0)42.775.3015 FAX • INFO@EVERPURE.CO.JP EMAIL

EVERPURE-SHURFLO SOUTHEAST ASIA, SOUTHEAST ASIA, 390 HAVELOCK ROAD, #04-01, KING'S CENTRE, SINGAPORE 169662
65.6768.5800 TEL • 65.6737.5149 FAX • CSEVERPURE@PENTAIR.COM EMAIL

All Pentair trademarks and logos are owned by Pentair, Inc. or its affiliates. All other registered and unregistered trademarks and logos are the property of their respective owners. Because we are continuously improving our products and services, Pentair reserves the right to change specifications without prior notice. Pentair is an equal opportunity employer.