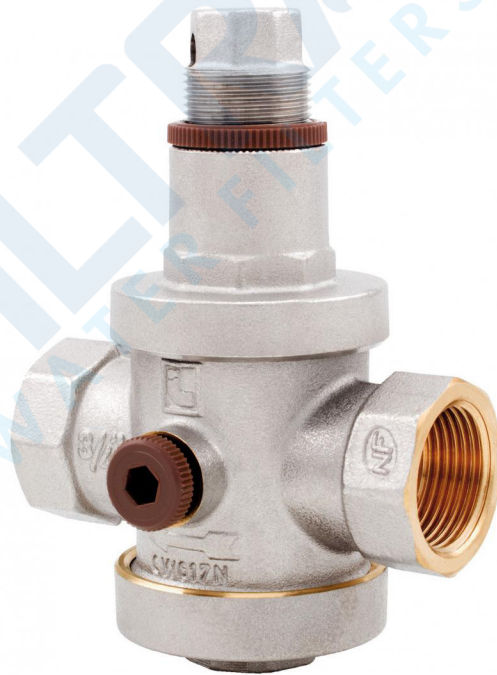




TECHNICAL CATALOGUE

PRESSURE REDUCING VALVES

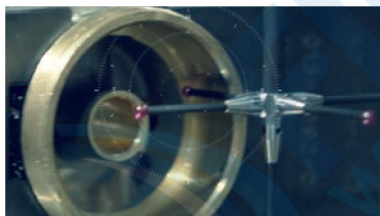
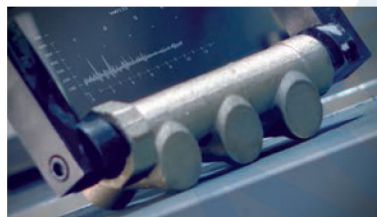
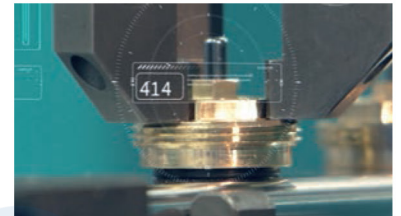
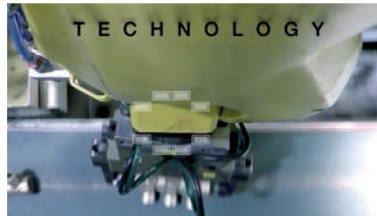


> THE COMPANY

ITAP SpA, founded in Lumezzane (Brescia) in 1972, is currently one of the leading production companies in Italy of **valves, fittings and distribution manifolds** for plumbing and heating systems.

Thanks to fully automated production processes, with 85 tooling machines and 55 assembly lines, we are able to produce 400,000 pieces per day.

Our innate pursuit for innovation and observance of technical regulations is supported by the company certification ISO 9001: 2015. The company has always considered its focus on quality as the main tool to obtain significant business results: today ITAP SpA is proud to offer products bearing the approval of numerous international certifying bodies.



> ITAP products have obtained approvals by more than 30 certification bodies from all over the world.





PRESSURE REDUCING VALVES

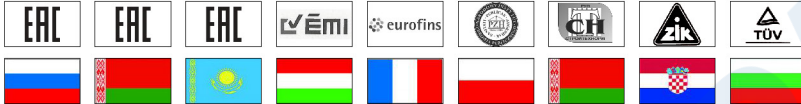
361 MINIPRESS pressure reducing valve

MINIPRESS



SIZE	PRESSURE	CODE	PACKING
1/2" (DN 15)	15bar/217.5psi	3610012	4/44
3/4" (DN 20)	15bar/217.5psi	3610034	4/44

CERTIFICATIONS



TECHNICAL SPECIFICATIONS

Compensated piston operation.

Female/female threads.

Body in nickel-plated brass.

Minimum and maximum working temperatures: 0°C, 80°C.

Maximum inlet pressure: 15 bar.

Outlet pressure can be adjusted between 1 and 4 bar.

Factory preadjustment 3 bar.

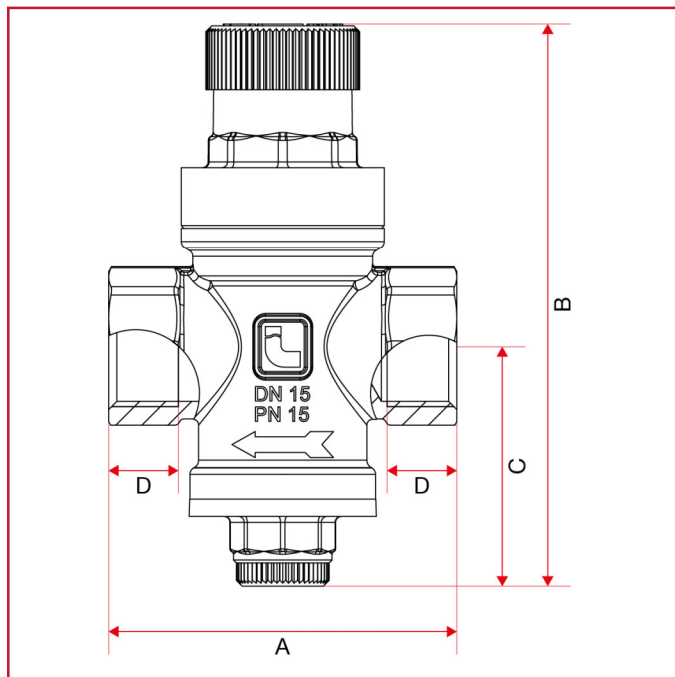
Art. 361: outlet pressure gauge connection 1/4".

Threads: ISO 228 (equivalent to DIN EN ISO 228 and BS EN ISO 228).

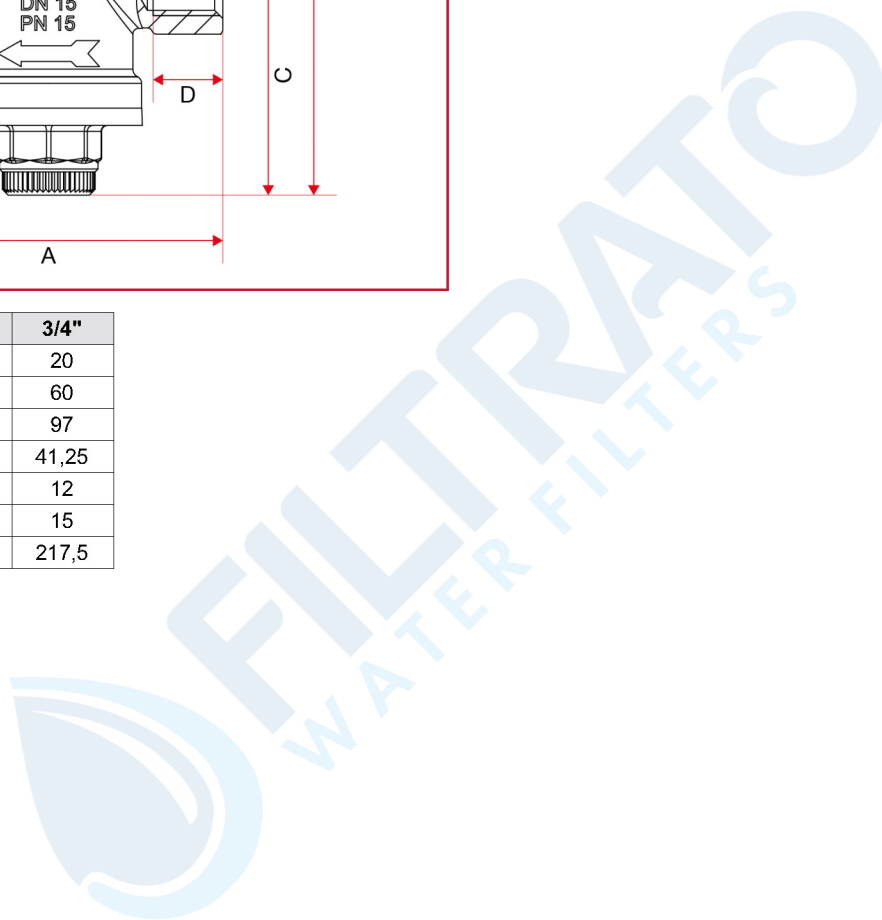


PRESSURE REDUCING VALVES

OVERALL DIMENSIONS



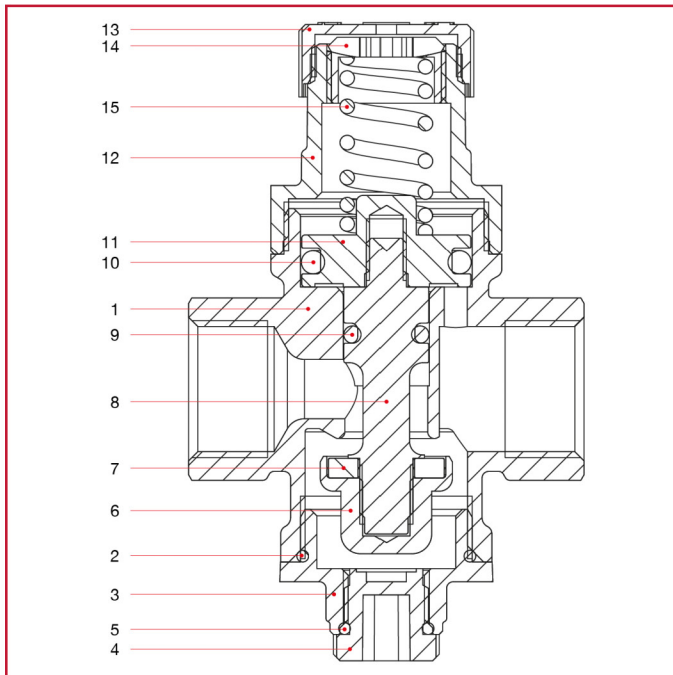
	1/2"	3/4"
DN	15	20
A	60	60
B	97	97
C	41,25	41,25
D	12	12
Kg/cm ² bar	15	15
LBS - psi	217,5	217,5





PRESSURE REDUCING VALVES

MATERIALS



POS.	DESCRIPTION	N.	MATERIAL
1	Body	1	Nickel-plated brass CW617N
2	O-ring	1	NBR
3	Bottom plug	1	Nickel-plated brass CW617N
4	Cap	1	POM
5	O-ring	1	EPDM
6	Shutter	1	Brass CW614N
7	Flat seat washer	1	NBR
8	Stem	1	Brass CW614N
9	O-ring	1	NBR
10	O-ring	1	NBR
11	Diaphragm	1	Brass CW614N
12	Upper plug	1	Nickel-plated brass CW617N
13	Cover	1	Nylon
14	Regulator	1	Brass CW614N
15	Spring	1	Stainless steel AISI 302



PRESSURE REDUCING VALVES

LOSS DIAGRAM (With water)

